



Machine engineering and construction

Focus on biomass & recycling material

Partner for technical developments and contract manufacture
from components up to complete plant assembly

**Our services and delivery
for processing biomass
& Recycling Material**



**Ecoworxx® PelletMaker All-in-One
PM75, PM44, PM22**

Shredding and form pressing in one machine.
Sieving, mixing, humidify and dosing integrated.
Diameter, length and strenght of the pellets
can be adapted to customer requirements and materials.

	<i>PM75E</i>	<i>PM44E</i>	<i>PM22E</i>
press	7,5 kW	4,0 kW	2,2 kW
rasp	5,5 kW	3,0 kW	1,5 kW
internal mixer	0,55 kW	-----	-----
internal snail	0,55 kW	0,37 kW	0,25 kW

All engines r.p.m. controlled

*Ecoworxx® single machines for size reduction, sieving and pelletizing
as well as suitable conveyor belts and screw conveyors*

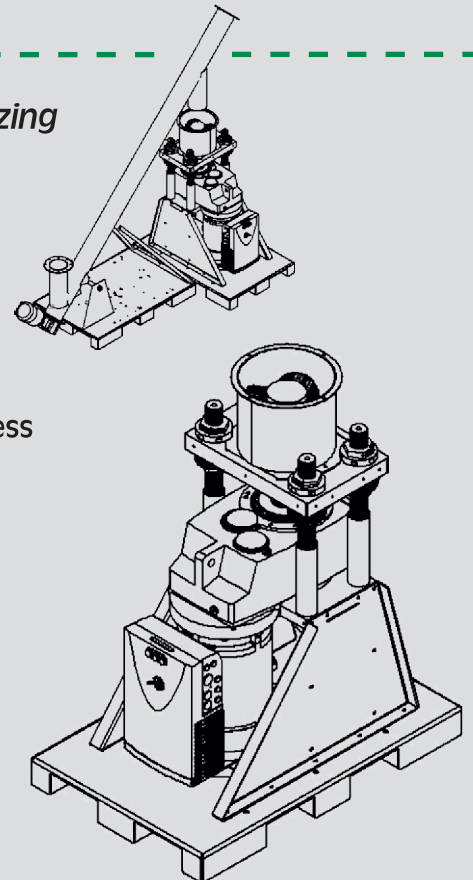
PelletMaker X-PRESS 150

for Pellets with diameter form 3 up to 30mm

main drive: 1.823 Nm bei 15 kW

optional with integrated r.p.m. controller

- 2 x or 4 x koller-wheel system for uniform pressing and best smoothness
- adjustable pellet length
- smart and simpel tool-adjusting & changing system
- electronic adjustable liquid-pumps with various injection points
- optional with Feeding-Auger 0,75 kW r.p.m. controlled
for load-sensitive material feeding
- optional with mixer and magnetic seperator
- optional with input-sieving and contamination collector
- optional electrical and mechanical Interfaces
for material input and discharge
- optional vibrating sieving at the discharge
- and many more possibilities



Many various results of the Ecoworxx® PelletMaker



Heating - Pellets
Environmentally friendly energy sources

Food - Pellets
individual mixtures and recipes

Fertiliser - Pellets
Long-term effect for garden and agriculture

Bedding - Pellets
Dust-free and absorbent for stables and cages

Recycling-Granulat
machinable and compacted

Raw material examples for the Ecoworxx® PelletMaker



Sawdust



Woodchips



Yard waste



Branch material



Shavings



Chopped reed grass



Straw of herbs



Vine pruning



Spelt & trimmings



Fruit pomace



Chopped straw/hay



Manure



Old bakery



Core shells



Destigates